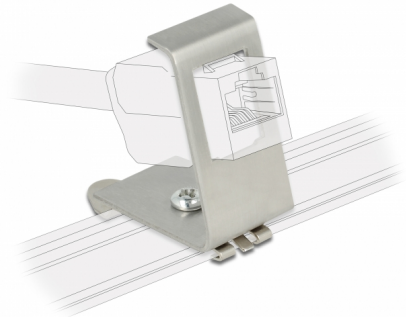


Delock Keystone Metal Mounting 1 Port for DIN rail

Description

This Keystone holder by Delock can be mounted to a DIN rail. With its standardized dimensions, it is suitable for easy snap-in mounting of one Keystone module.



Item no. 86259

EAN: 4043619862597

Country of origin: China

Package: Zip poly bag

Technical details

- 1 Keystone port 19.2 x 14.9 mm
- Mounting for 35 mm DIN rail
- 70° angled
- Material: stainless steel
- Dimensions (LxWxH): ca. 23 x 39 x 37 mm

Package content

- Keystone mounting

Images



General

Mounting type:	DIN rail
----------------	----------

Physical characteristics

Housing material:	metal
Length:	23 mm
Width:	39 mm
Height:	37 mm