

# Delock DIN Rail Stainless Steel with End Stop for Wall Mounting

## Description

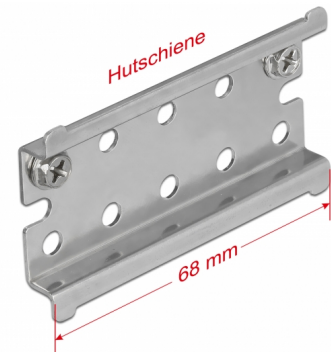
This DIN rail by Delock is suitable for the mounting onto a wall.

## To be used for different devices

The DIN rail can be screwed onto the wall by the mounting holes and can be used as a mounting system e.g. for converters or terminals.

## Mechanical Stopper

The end stop serves to secure the products which are fastened to the DIN rail. Thus, they can not be pulled out at the side.



**Item no. 66083**

EAN: 4043619660834

Country of origin: Taiwan,  
Republic of China

Package: Zip poly bag

## Technical details

- 35 mm DIN rail
- 10 x mounting holes
- Mounting hole diameter: 4.5 mm
- Pitch of screw hole: ca. 14 mm
- Material: stainless steel
- Dimensions (LxWxH): ca. 68.0 x 38.0 x 7.5 mm

## Package content

- 1 x DIN rail
- 4 x screw



## General

Mounting type:	Wall mounting
----------------	---------------

## Physical characteristics

Material:	stainless steel
Length:	68.0 mm
Width:	38.0 mm
Height:	7.5 mm