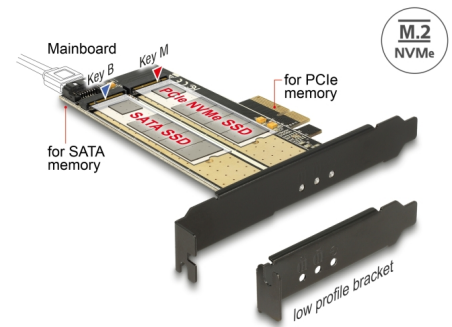


Delock PCI Express x4 Card > 1 x internal M.2 Key B + 1 x internal NVMe M.2 Key M - Low Profile Form Factor

Description

This PCI Express card by Delock expands the PC by two M.2 slots. One M.2 SATA module can be connected in format 22110, 2280, 2260, 2242, 2230 with this card and connected via SATA cable to the motherboard. Additionally, one M.2 PCIe module in format 22110, 2280, 2260, 2242, 2230 can be connected. Both slots can be used at the same time.



Item no. 89630

EAN: 4043619896301

Country of origin: China

Package: Retail Box

Technical details

- Connectors:
 - internal:
 - 1 x 67 pin M.2 key B slot
 - 1 x 67 pin M.2 key M slot
 - 1 x PCI Express x4, V4.0
 - 1 x SATA 6 Gb/s 7 pin plug
- Interface: SATA / PCIe (2 or 4 lanes)
- Supports one M.2 module in format 22110, 2280, 2260, 2242 and 2230 with key B or key B+M based on SATA and one M.2 module in format 22110, 2280, 2260, 2242 and 2230 with key M or key B+M based on PCIe
- Maximum height of the components on the module: 1.5 mm, application of double-sided assembled modules supported
- 3 x LED indicator
- Bootable
- Supports NVM Express (NVMe)

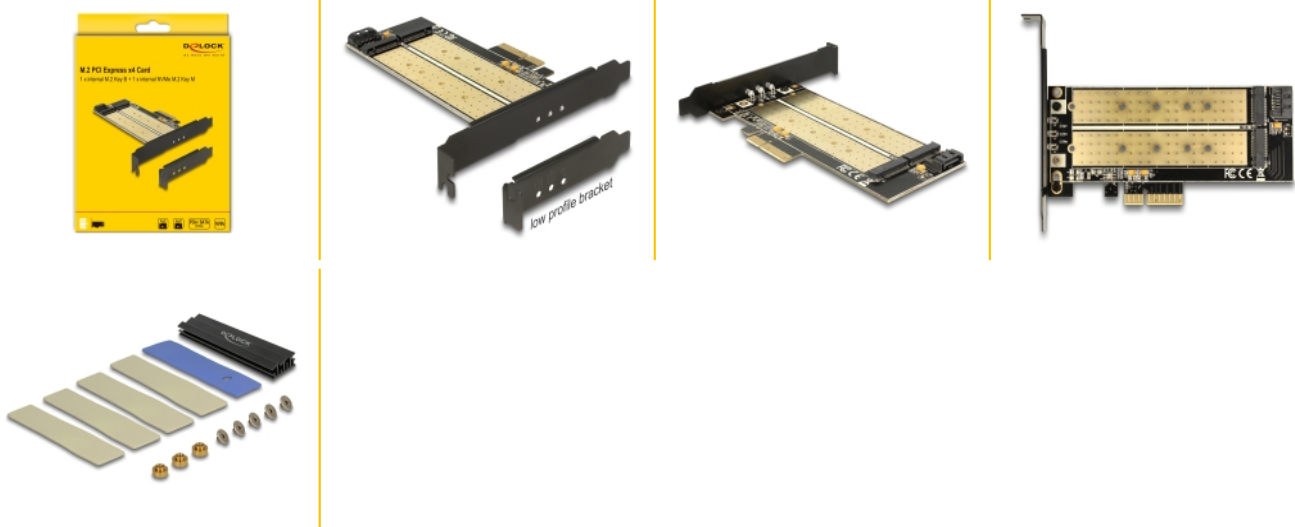
System requirements

- Windows 7/7-64/8.1/8.1-64/10/10-64
- PC with one free PCI Express x4 / x8 / x16 / x32 slot

Package content

- PCI Express card
- Low profile bracket
- 1 x heat sink
- M.2 mounting material
- 5 x thermal pad
- User manual

Images



General

Function:	NVM Express (NVMe) bootable
Supported operating system:	Windows 10 32-Bit Windows 10 64-Bit Windows 7 32-Bit Windows 7 64-Bit Windows 8.1 32-Bit Windows 8.1 64-Bit
LED indicator:	3 x
Slot:	PCIe SATA
Supported module:	M.2 modules in format 22110, 2280, 2260, 2242 and 2230 with key B or key B+M based on SATA M.2 modules in format 22110, 2280, 2260, 2242 and 2230 with key M or key B+M based on PCIe
Maximum height of the components on the module:	1.5 mm application of double-sided assembled modules supported

Interface

Internal:	1 x 67 pin M.2 key B slot 1 x 67 pin M.2 key M slot 1 x SATA 6 Gb/s 7 pin plug 1 x PCI Express x4
-----------	--

Physical characteristics

Slot bracket:	Low Profile standard
---------------	-------------------------