

Delock PCI Express Card Dual band Wi-Fi 6 WLAN ax/ac/a/b/g/n 2400 Mbps + Bluetooth 5.1

Description

This PCI Express card by Delock will be installed into a PC and can provide a WLAN and Bluetooth connection.

Supports Wi-Fi 6

The Wi-Fi standard **802.11ax** is supported, which allows higher data rates. Furthermore, the interference is reduced due to overlapping WLAN frequencies. Compatibility with previous standards such as 802.11ac/a/n/b/g is given.

The WLAN card can be connected to an AccessPoint (HotSpot) or WLAN router in a **2.4 GHz and 5 GHz** band. Furthermore it enables an adhoc connection to a second computer.

Bluetooth 5.1

Due to the Bluetooth 5.1 standard, this card requires less power and has a fast data transfer rate. Furthermore, it can be easily coupled with the end devices.



Item no. 89049

EAN: 4043619890491

Country of origin: China

Package: Retail Box

Technical details

- Connectors:
 - external:
 - 2 x RP-SMA jack
 - internal:
 - 1 x PCI Express x1, V3.0
 - 1 x 4 pin USB (Bluetooth)
- Chipset: Intel AX200
- Data transfer rate up to 2400 Mbps @ 2x2 802.11ax
- 2T2R mode
- Frequency range: 2.4 GHz + 5 GHz band
- Antenna gain: 2 dBi
- Impedance: 50 Ohm
- Antenna type: external omnidirectional detachable antenna (RP-SMA plug)
- Length:
 - ca. 87 mm (without tilt joint)

- ca. 108 mm (with tilt joint)
- Compatible with IEEE 802.11ax/ac/a/n/b/g
- Encryption WEP, WPA, WPA2, WPA3
- Supports DFS (Dynamic Frequency Selection)
- Supports WPS
- Supports MU-MIMO
- Bluetooth standard 5.1
- 1 x LED indicator

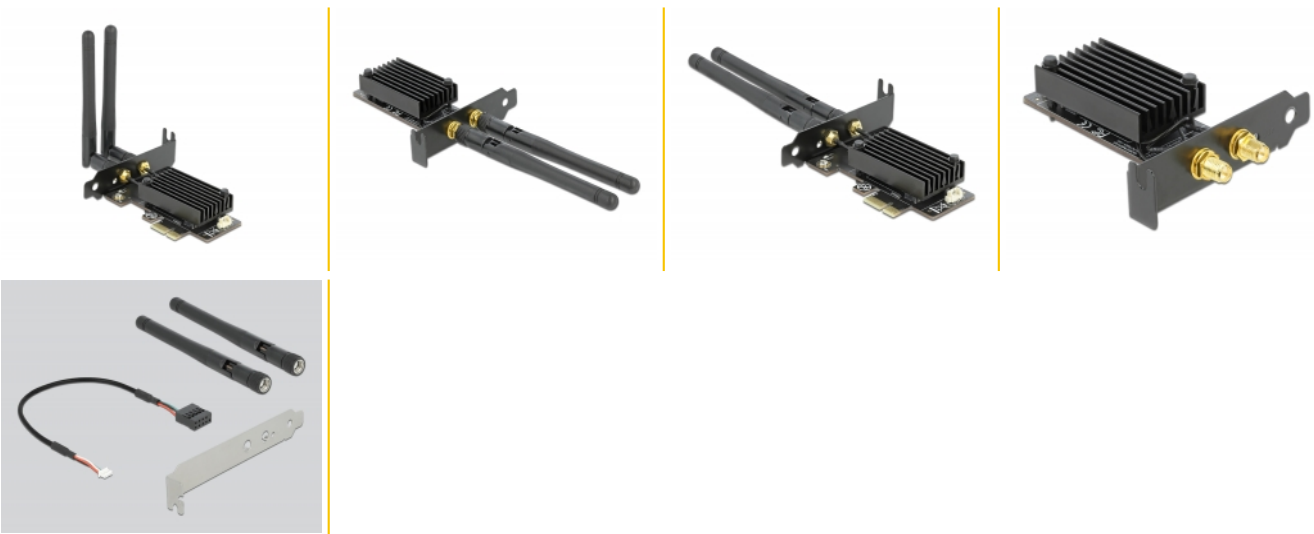
System requirements

- Windows 10/10-64
- PC with one free PCI Express slot
- A free USB pin header (Bluetooth)

Package content

- PCI Express card
- Low profile bracket
- 2 x antenna
- Cable 4 pin to USB pin header female, length ca. 30 cm
- User manual

Images



General

Form factor:	Low Profile
Supported operating system:	Windows 10 32-Bit Windows 10 64-Bit

Interface

Internal:	1 x PCI Express x1, V3.0
-----------	--------------------------