

# Delock LTE Antenna SMA plug 0 - 4 dBi omnidirectional rotatable with tilt joint white

## Description

This LTE antenna by Delock can be installed indoors and takes advantage of all LTE bands. It is completely compatible to GSM, UMTS, Bluetooth, WLAN 2.4 GHz, ZigBee, DECT and Z-Wave.



**Item no. 88977**

EAN: 4043619889778

Country of origin: Taiwan,  
Republic of China

Package: Retail Box

## Technical details

- Connector: SMA plug
- LTE band: 1-10; 12; 13; 17; 19; 25; 29; 30; 33-41
- Frequency range:
  - 698 - 791 MHz
  - 824 - 960 MHz
  - 1710 - 2170 MHz
  - 2300 - 2400 MHz
  - 2500 - 2700 MHz
- Compatible to GSM, UMTS, Bluetooth, WLAN 2.4 GHz, ZigBee, DECT, Z-Wave
- Antenna gain:
  - 1.5 dBi @ 698 - 791 MHz
  - 0 dBi @ 824 - 960 MHz
  - 1.5 dBi @ 1710 - 2170 MHz
  - 4 dBi @ 2300 - 2400 MHz
  - 4 dBi @ 2500 - 2700 MHz
- Impedance: 50 Ohm
- Polarisation: linear, vertical
- VSWR: 4.0

- Operating temperature: -10 °C ~ 55 °C
- Housing material: ABS
- Colour: white
- Length:
  - ca. 231.50 mm (with tilt joint)
  - ca. 199.20 mm (without tilt joint)
- Diameter:
  - ca. 19.70 mm (top)
  - ca. 21.50 mm (max.)
  - ca. 13.20 mm (SMA)

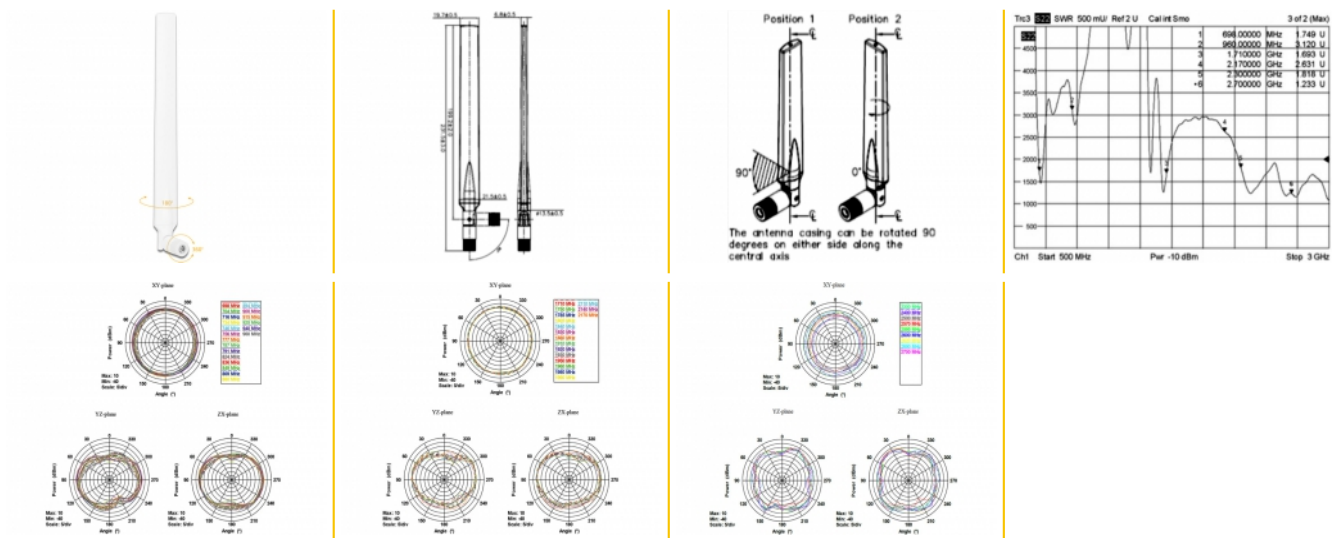
## System requirements

- Device with a free SMA jack

## Package content

- LTE antenna

## Images



## Interface

connector:	SMA Stecker
------------	-------------

## Technical characteristics

Frequency range:	824 MHz - 960 MHz 2300 MHz - 2400 MHz 2500 MHz - 2700 MHz 698 MHz - 791 MHz 1710 MHz - 2170 MHz
Antenna gain:	1.5 dBi @ 698 MHz - 791 MHz 0 dBi @ 824 MHz - 960 MHz 1.5 dBi @ 1710 MHz - 2170 MHz 4 dBi @ 2300 MHz - 2400 MHz 4 dBi @ 2500 - 2700 MHz
Impedance:	50 Ω
Operating temperature:	-10 °C ~ 55 °C
Polarisation:	linear vertical
VSWR:	4.0

## Physical characteristics

Housing material:	ABS
Diameter:	ca. 19.70 mm (top) ca. 21.50 mm (max.) ca. 13.20 mm (SMA)
Length with tilt joint:	ca. 231.50 mm
Length without tilt joint:	ca. 199.20 mm
Colour:	white