

# Delock WLAN 802.11 ac/a/h/b/g/n Antenna RP-SMA plug 4 - 6 dBi omnidirectional with magnetic base and connection cable black

## Description

This Wireless LAN antenna can be connected to a WLAN device with RP-SMA interface, in order to send and receive signals.

Bluetooth



**Item no. 88901**

EAN: 4043619889013

Country of origin: Taiwan,  
Republic of China

Package: White Box

## Technical details

- Connector: RP-SMA plug
- Frequency range:  
2.400 - 2.500 GHz  
4.900 - 5.875 GHz
- Antenna gain:  
4 dBi @ 2.400 - 2.500 GHz  
6 dBi @ 4.900 - 5.875 GHz
- Impedance: 50 Ohm
- Polarisation: linear, vertical
- Horizontal beam angle: 360°
- VSWR: 2.0
- Operating temperature: -10 °C ~ 55 °C
- Housing material: ABS
- Colour: black
- Antenna length including magnetic base: ca. 21.0 cm
- Features of the base:

magnetic on the bottom  
 rubberized bottom  
 wall mountable

- Cable: Coaxial
- Cable type: ULA 100
- Cable color: black
- Cable Attenuation:
  - 1.4 dB @ 2.500 GHz per meter
  - 2.3 dB @ 5.875 GHz per meter
- Cable diameter: 2.79 mm
- Cable length: ca. 1 m

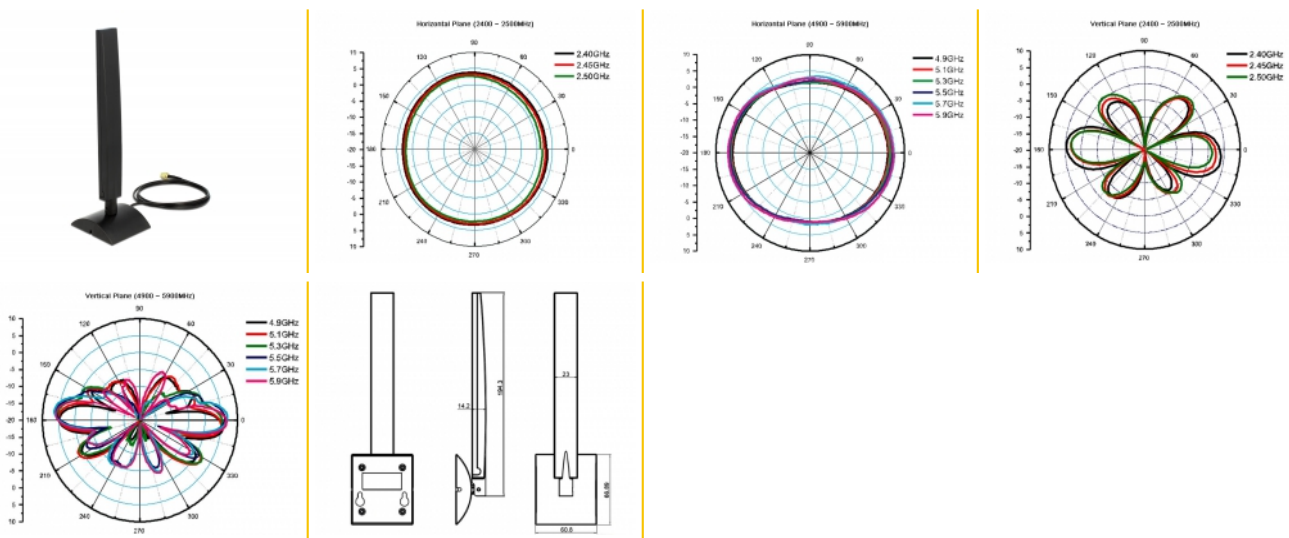
## System requirements

- Device with a free RP-SMA jack

## Package content

- WLAN antenna

## Images



## Interface

connector:	RP-SMA plug
------------	-------------

## Technical characteristics

Frequency range:	2.400 GHz - 2.500 GHz 4.900 - 5.875 GHz
Antenna gain:	4.6 - 6.1 dBi
Beam width horizontal:	360°
Impedance:	50 Ω
Operating temperature:	-10 °C ~ 55 °C
Polarisation:	linear vertical
VSWR:	2.0

## Physical characteristics

Antenna length incl. magnetic base:	21.0 cm
Housing material:	ABS
Cable category:	coaxial
Cable type:	ULA 100
Cable attenuation:	1.4 dB @ 2.500 GHz pro Meter 2.3 dB @ 5.875 GHz pro Meter
Cable colour:	black
Cable length:	1 m
Colour:	black