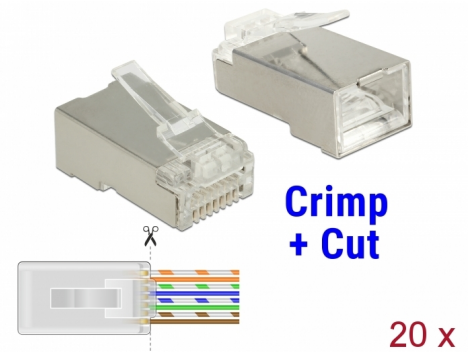


Delock RJ45 Crimp+Cut Plug Cat.6 STP 20 pieces

Description

With this RJ45 plug by Delock and the matching Crimp+Cut tool a network cable can quickly and easily be connected to an RJ45 plug. The RJ45 Crimp+Cut plug allows leading the wires out to the front; this speeds up the installation and the wiring order can be checked. At the same time, the performance is improved because the wire pair remains twisted close to the connector. When crimping, all wires are contacted simultaneously and the excess cable ends are cut off.



Item no. 86454

EAN: 4043619864546

Country of origin: Taiwan,
Republic of China

Package: Zip poly bag

Technical details

- Connector: 1 x RJ45 plug
- Shielded (STP)
- Cat.6 specification
- TIA-568A/B pinout
- 3-prong contact
- Contacts gold-plated: 1.27 um / 50 u''
- For solid or stranded wire up to 0.511 mm (24 - 26 AWG)
- For cable diameter from 5.0 - 6.5 mm
- Housing material: polycarbonate
- Colour: transparent
- Dimensions (LxWxH): ca. 22.2 x 14.0 x 11.7 mm

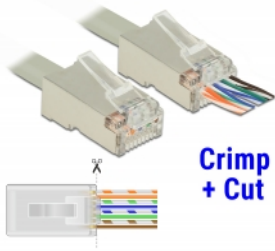
System requirements

- Delock 86450 RJ45 Crimp+Cut Toolkit

Package content

- 20 x RJ45 plug

Images



General

Suitable for conductor gauge:	24 - 26 AWG
-------------------------------	-------------

Technical characteristics

Category:	Cat.6
-----------	-------

Physical characteristics

Housing material:	Polycarbonat
Length:	22.2 mm
Width:	14.0 mm
Height:	11.7 mm
Colour:	transparent