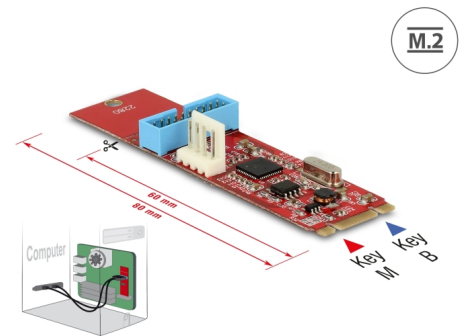


Delock Converter M.2 Key B+M male to 1 x USB 5 Gbps Pin Header

Description

This converter by Delock expands the system by one USB 5 Gbps pin header male. The converter has a length of 80 mm, it can be shortened by the predetermined breaking point to 60 mm.



Item no. 62842

EAN: 4043619628421

Country of origin: China

Package: Retail Box

Technical details

- Connectors:
 - 1 x M.2 key B+M male
 - 1 x 19 pin USB 5 Gbps pin header male
 - 1 x Floppy 4 pin power plug
- Chipset: Renesas
- Interface: PCIe
- Form factor: M.2 2280 (2260)
- Suitable for M.2 slot with key M or B+M based on PCIe
- Data transfer rate up to 5 Gbps
- Bootable
- Dimensions (LxWxH): ca. 82 x 22 x 14 mm

System requirements

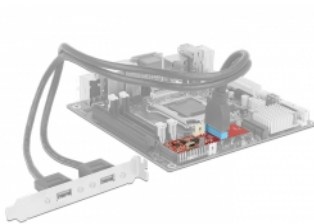
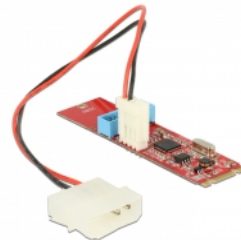
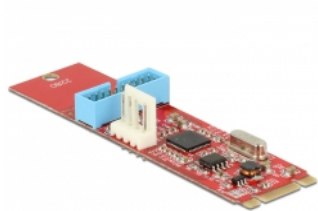
- Linux Kernel 3.16 or above
- Windows 7/7-64/8.1/8.1-64/10/10-64/11
- A free M.2 key M slot

- Power supply with a free 4 pin power connector

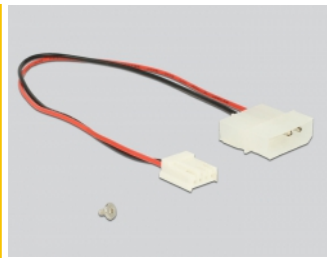
Package content

- Converter
- Power cable
- Driver CD
- User manual

Images



Anwendungsbeispiel



General

Form factor:	M.2 2260 M.2 2280
Slot:	PCIe

Interface

Connector 1:	1 x 59 pin M.2 key B+M male
Connector 2:	1 x 19 pin USB 5 Gbps pin header male
connector 3:	1 x 4 pin pin header power connector (optional for power supply)

Technical characteristics

Chipset:	Renesas
Data transfer rate:	up to 5 Gbps

Physical characteristics

Length:	82 mm
Width:	22 mm
Height:	14 mm